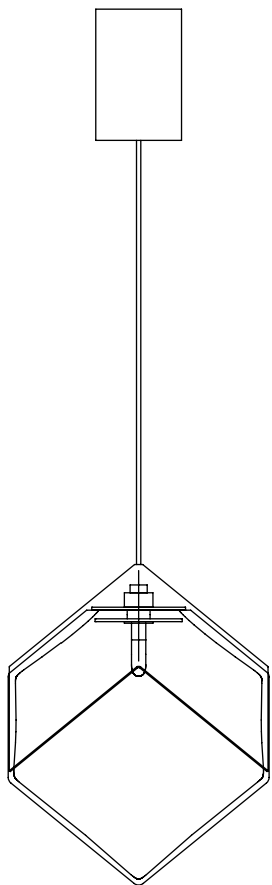


pyrite

Design by
Studio Dechem



bomma

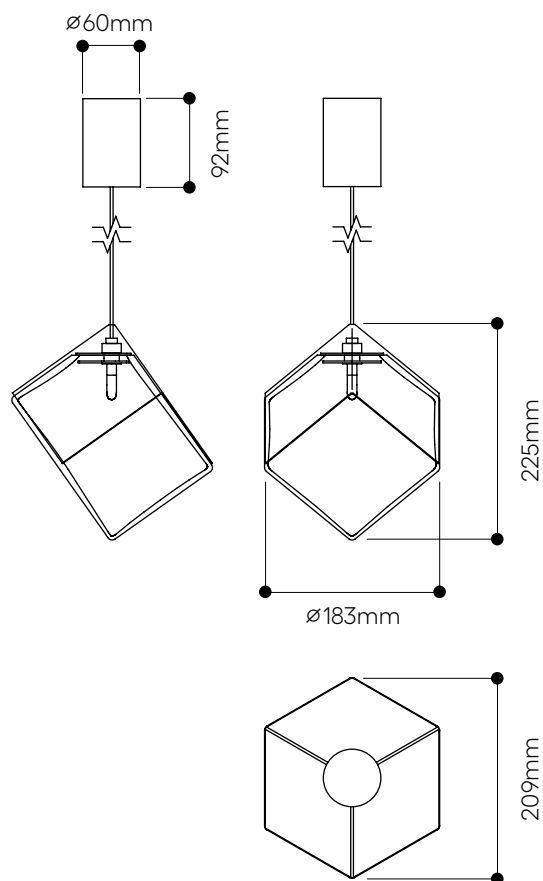
bomma.cz

TECHNICAL SHEET
FOR PENDANT LIGHT FIXTURES

Pyrite

Design by
Studio Dechem

All Bomma products are hand-made from mouth-blown lead-free crystal. Therefore any small bubbles, non-melts and irregularities in the glass are both proof and a characteristic feature of this traditional craft.



LIGHTING DESCRIPTION

Size	183 × 209 × 225 mm 7,2 × 8,2 × 8,9 inch
Cable	transparent 2,5 m / 98,4 inch
Weigh	1,9 kg / 4,2 lbs
Material	clear glass
Mounting	brushed brass, anthracite
Metal sheet top	polished stainless steel, gold
Protection	IP 20
Nominal voltage	220-230V / A.C. 50 hz (EU) 100-120 V / A.C. 60 Hz (USA)
Class	II. EU / I. USA

LIGHT SOURCE

Type	G4, 1,2W LED, 120 lm
Base	G4 (EU) / G4 (USA)
Voltage	12V, AC
Temperature	2700 K
Color index	RA 90+
Dimmable	NO

TRANSFORMER

Primary	100-240V, 50/60 Hz, 0,04A
Secondary	DC 700mA (0,5V-4V) 1×3W

PACKAGING

Material	Cardboard
Size	230 × 220 × 220 mm 9 × 8,6 × 8,6 inch

CERTIFICATES

