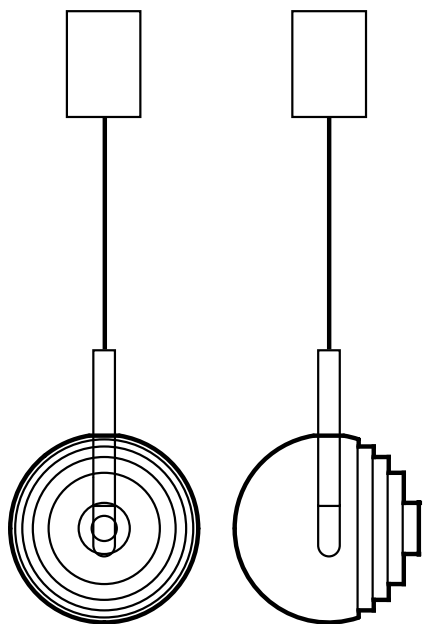


# dark & bright star

Design by Dechem Studio



bomma

bomma.cz

TECHNICAL SHEET

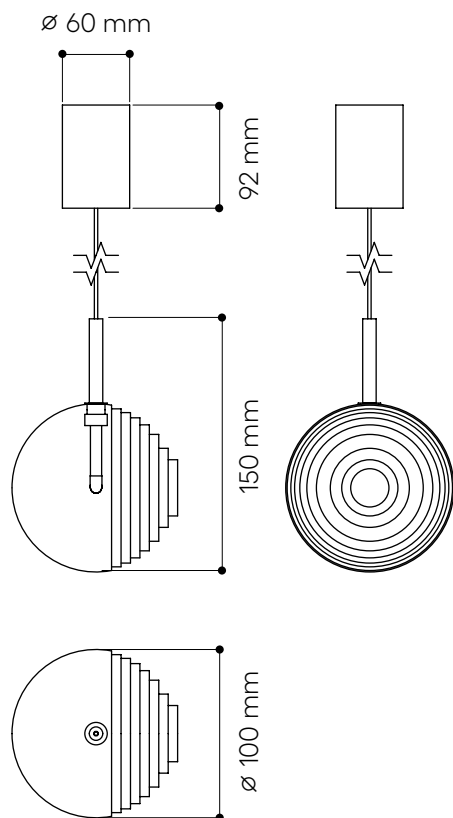
# DARK & BRIGHT STAR

## pendant small

Design by  
Dechem Studio

All Bomma products are hand-made from mouth-blown lead-free crystal. Therefore any small bubbles and/or irregularities in the glass are both a proof and a characteristic feature of this traditional craft.

The Dark and Bright Star Collection is produced in two colors, simply referred to as dark and bright. The bright version is clear glass with an opaque sanded finish, the dark version is made of fully-colored glass. Thanks to the manual process of blowing, each piece is an original. Individual products may vary slightly in hue or color intensity.



### LIGHTING DESCRIPTION

Size	dia. 100 mm, H 150 mm dia. 3,9 inch, H 5,9 inch
Cable	transparent 2,5 m / 98,4 inch
Weigh	0,7 kg / 1,54 lb
Material	clear glass, cigar smoke
Mounting	brushed brass, black nickel
Protection	IP 20
Nominal voltage	220-230V A.C. 50 hz (EU) 100-120 V A.C. 60 Hz (USA)
Class	II. EU / I. USA

### LIGHT SOURCE

Type	G4, 1,2W LED, 120 lm
Base	G4 (EU) / G4 (USA)
Voltage	12V, AC / 12V, AC
Temperature	2700 K
Color index	RA 90+
Dimmable	NO

### TRANSFORMER

Primary	100-240V, 50/60 Hz, 0,04A
Secondary	DC 700mA (0,5V-4V) 1x3W

### PACKAGING

Material	Cardboard
Size	185 × 165 × 165 mm 7,3 × 6,5 × 6,5 inch

CERTIFICATES

