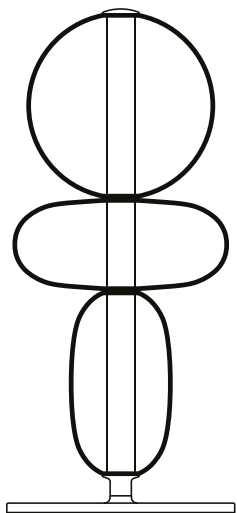


peleloles

Design by
Boris Klimek



bomma

bomma.cz

TECHNICAL SHEET

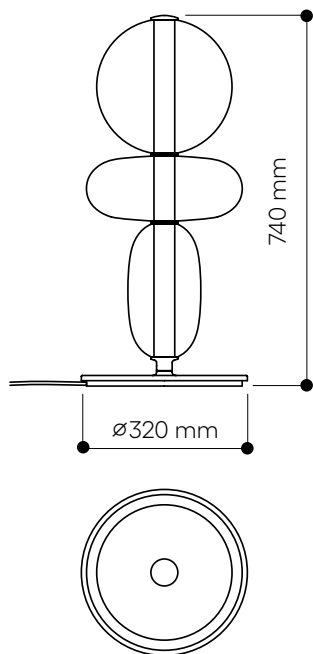
PEBBLES

floor lamp small

Design by
Boris Klimek

All Bomma products are hand-made from mouth-blown lead-free crystal. Therefore any small bubbles, non-melts and irregularities in the glass are both proof and a characteristic feature of this traditional craft.

The Pebbles Collection is made by underlying colored glass technology. Thanks to the manual process of blowing underlay glass, each piece is an original. Individual products may vary slightly in intensity, hue or even color. This is an accompanying characteristic of the traditional underlay glass technology.



LIGHTING DESCRIPTION

Size	dia 320 mm, H 740 mm dia. 12,6 inch, H 29 inch
Cable	black textile braid cable 3 m / 118 inch
Weigh	18 kg / 45 lb
Material	underlay color glass
Mounting	black matt powder coating
Protection	IP 20
Nominal voltage	220-230V / A.C. 50 hz (EU) 100-120 V / A.C. 60 Hz (USA)
Class	I. EU / I. USA

LIGHT SOURCE

Type	LED module 17,9W, 2680 lm, 350 mA, 51V
Base	custom LED module
Voltage	200-240V, AC / 100-140V, AC
Temperature	2700 K
Color index	RA 90+
Dimmable	YES

TRANSFORMER

Mean Well PCD-25-350B (EU)
Mean Well PCD-25-350A (USA)

PACKAGING

Material	Cardboard
Size - Two boxes	540 × 540 × 1220 mm 21,3 × 21,3 × 40,1 inch

CERTIFICATES

