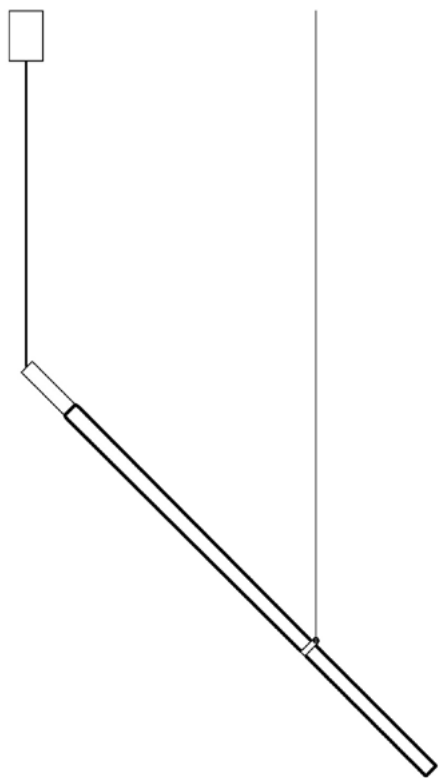


flore

Design by
Kateřina Handlová



loomma

bomma.cz

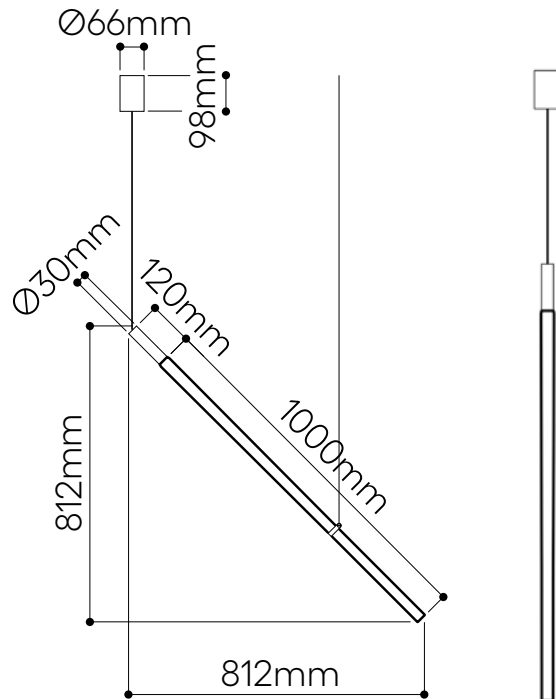
TECHNICAL SHEET
FOR PENDANT LIGHT FIXTURES

FLARE pendant A

Design by
Kateřina Handlová

Handmade glass attributes

All Bomma products are hand-made from lead-free crystal. Therefore any small bubbles, non-melts and irregularities in the glass are both proof and a characteristic feature of this traditional craft.



LIGHTING DESCRIPTION

Size	1200 x 30 mm 44,09 x 1,18 inch
Cable	transparent 2,5 m / 98,4 inch
Weight	+/- 2,5 kg / 5,5 lb
Glass	lead-free crystal with white spiral decor
Mounting	brushed gold (brushed brass) brushed silver (brushed stainless steel)
Protection	IP 20
Nominal voltage	220-240V / A.C. 50-60 Hz (EU) 110-120 V / A.C. 60 Hz (USA)
Class	II. EU / I. USA

LIGHT SOURCE

Type	LED MCOB, 4 W (+5%), 120 mA, 400 lm
Voltage	Vtyp 30-42V DC, I _{max} 150 mA
Temperature	2700 K
Color index	RA 90+
Dimming	Dimmable with TRIAC, PUSH, DALI

Origin: traditionally produced in the Czech Republic
Intellectual property license holder: Bomma Czech Republic (EU)
Represented by BMRC group s.r.o.

CERTIFICATES

